

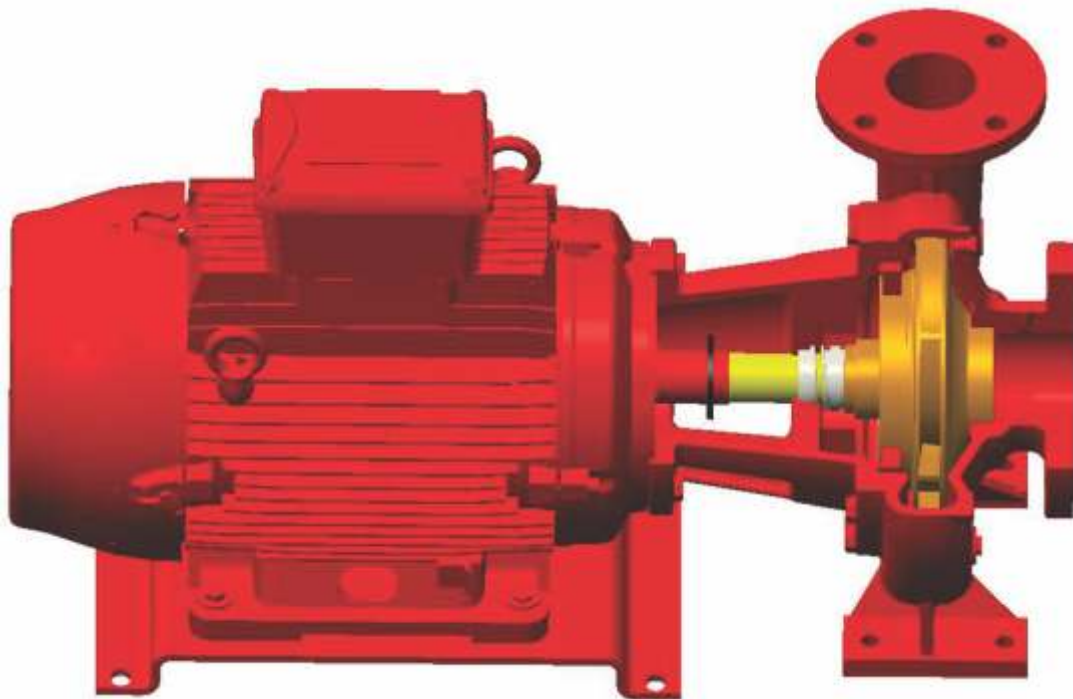
Series 1532 Pumps

THE INDUSTRY STANDARD IN END SUCTION PUMP DESIGN



Bell & Gossett®
a xylem brand

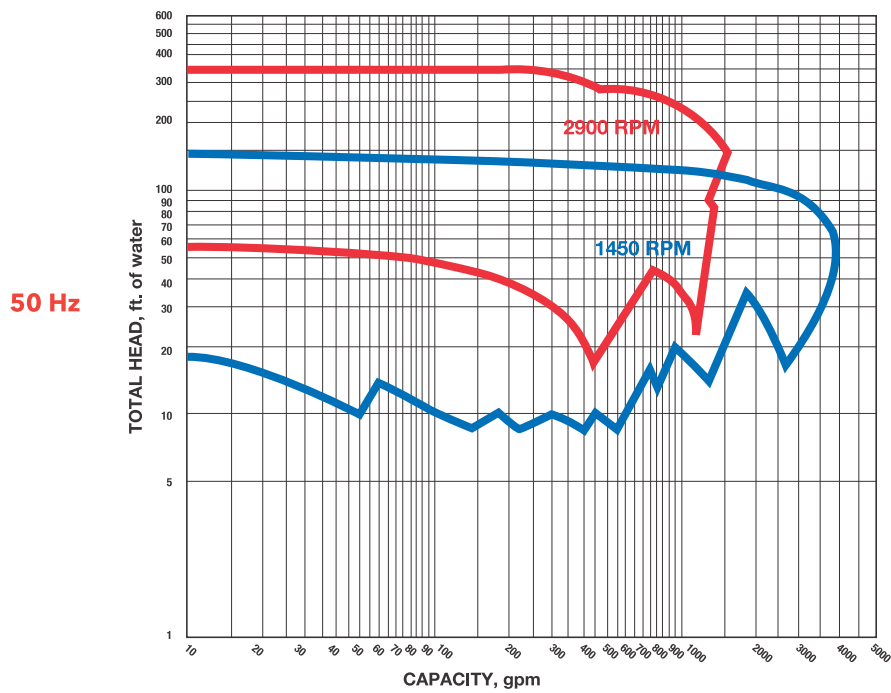
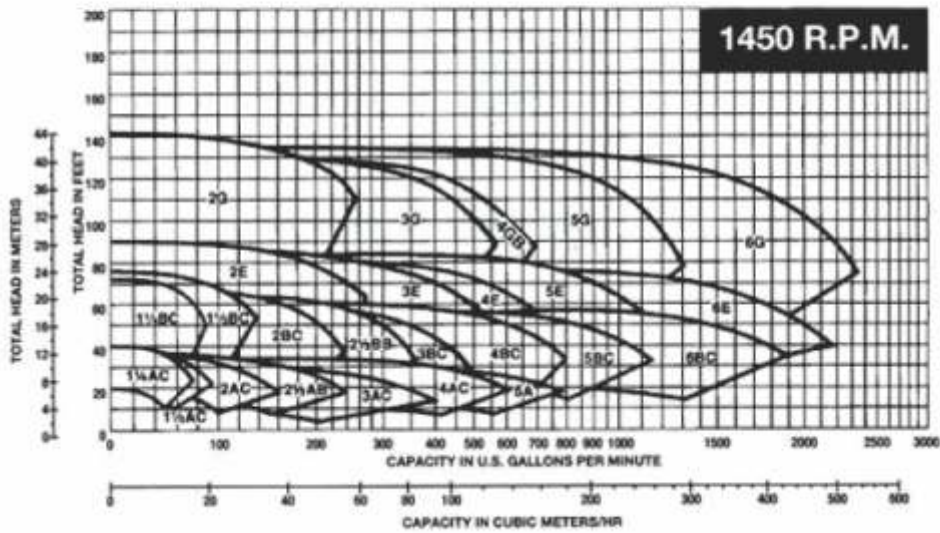
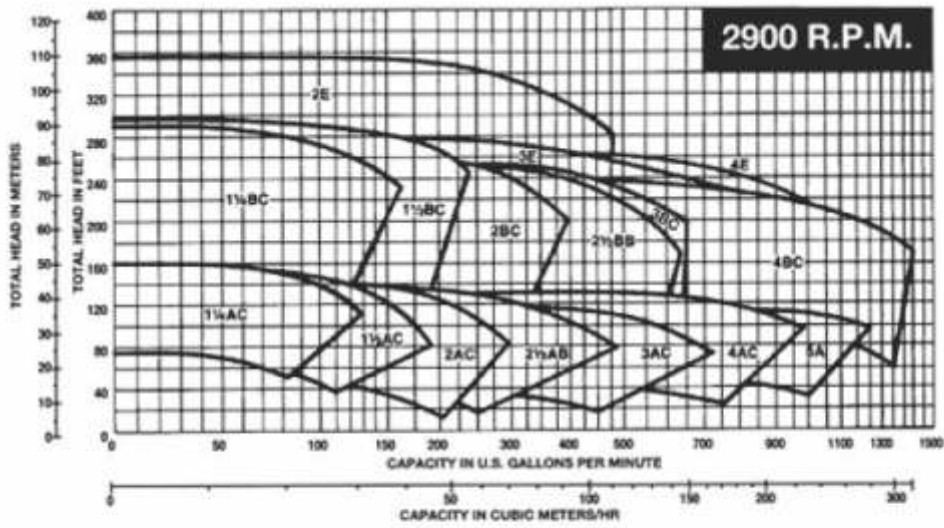
Series 1532 Short - Coupled Pumps



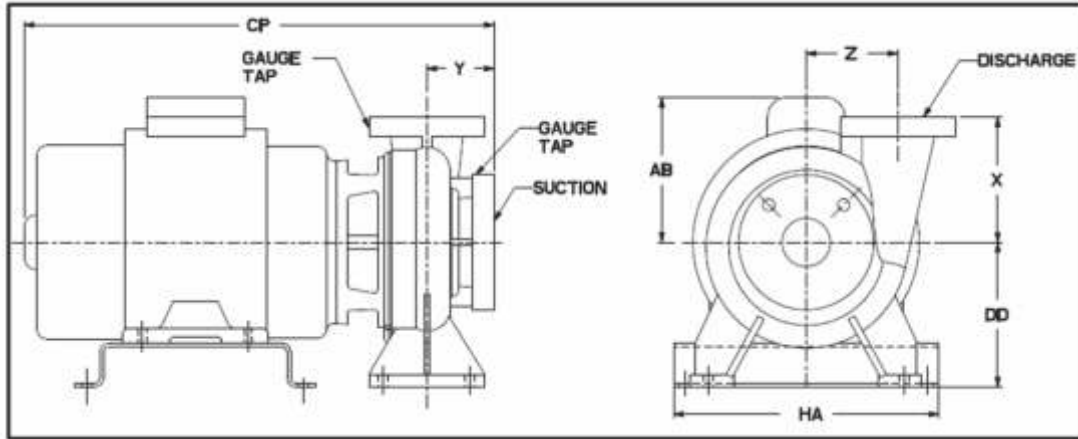
Standard Design Features

1. **Self-flushing mechanical seals** ensure maximum seal face lubrication, heat dissipation and debris removal without vulnerable, external flush tubing. As much as 25 percent of the total pump flow continuously flushes the seal faces.
2. **Back pull-out** design allows one service tech ease of maintenance.
3. **Aluminum bronze shaft sleeve** construction is standard. Special sealing between the sleeve and shaft prevents corrosion of the shaft by the pumped fluid.
4. **Enclosed, balanced impeller** for quiet, vibration free performance. Impellers are precision fitted to the shaft and positively locked with a shaft key.
5. **Heavy duty cast iron volute** construction for 175PSI working pressure.
6. **Jacking bolts** provide ease of volute disassembly.
7. **Gauge tappings** on the suction and discharge flanges along with volute vent and drain tappings are standard.
8. **Hydrostatic testing** of each pump is standard.

Series 1532 Selection Charts

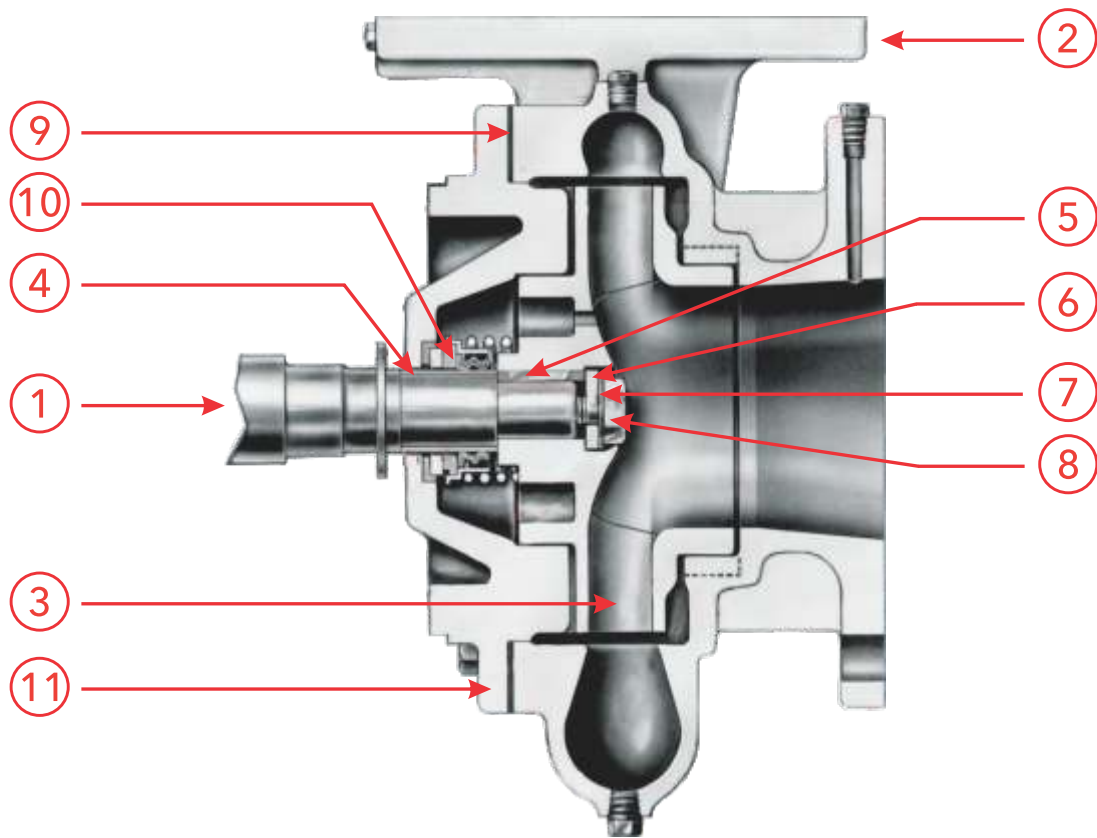


Series 1532 Dimensions



SIZE OF PUMP AND DISCHARGE	SUCTION	DD	CP	AB	HA	X	Z
1-1/4 AC(NPT)	1-1/2 NPT	7.00	23.03	8.46	13.63	5.00	4.50
1-1/2 AC(NPT)	2 NPT	7.00	22.95	8.46	13.63	6.00	4.63
2 AC	2-1/2	7.00	23.45	8.46	13.63	6.50	4.75
2-1/2 AB	3.00	7.00	32.25	10.24	13.63	6.00	4.69
3 AC	4.00	7.00	32.19	10.24	13.63	6.00	5.00
4 AC	5.00	8.00	36.37	10.83	13.63	7.50	5.75
5 A	6.00	10.00	41.70	12.20	22.55	8.50	6.25
1-1/4 BC (NPT)	1-1/2 NPT	8.00	31.05	10.24	13.63	8.00	5.50
1-1/2 BC (NPT)	2 NPT	8.00	30.91	10.24	13.63	6.50	5.75
2 BC	2-1/2	8.00	38.63	12.20	15.20	7.00	5.88
2-1/2 BB	3.00	8.00	38.69	12.20	15.20	6.75	6.00
3 BC	4.00	8.00	41.25	13.19	17.13	7.50	6.13
4 BC	5.00	10.00	45.05	15.55	19.30	8.00	7.00
5 BC	6.00	11.00	34.57	10.24	16.00	10.00	7.50
6 BC	8.00	11.00	39.30	10.83	16.00	10.50	8.25
2 E	3.00	10.00	38.92	12.20	22.50	8.00	6.50
3 E	4.00	10.00	40.65	13.19	22.50	9.50	7.38
4 E	5.00	10.00	44.23	15.55	19.30	9.75	7.25
5 E	6.00	11.00	34.43	10.24	16.00	10.50	7.94
6 E	8.00	12.00	37.89	10.83	23.00	11.00	8.47
2 G	3.00	10.00	32.28	10.24	16.00	9.00	7.25
3 G	4.00	10.00	34.33	10.24	16.00	9.50	8.00
4 GB	5.00	11.00	37.43	10.83	16.00	10.00	8.56
5 G	6.00	12.00	39.98	12.20	23.00	13.00	9.00
6 G	8.00	12.00	43.27	15.55	23.00	14.00	9.31
8 G	10.00	14.37	49.71	18.31	28.00	17.31	0.00

Series 1532 Construction features and options



SR.NO	PART DESCRIPTION	MATERIAL OF CONSTRUCTION
1	MOTOR EXTENDED SHAFT	ALLOY STEEL AISI #4140
2	VOLUTE	CAST IRON ASTM #A159
3	IMPELLER	CF8,ASTM#A351
4	SHAFT SLEEVE	ALUMINUM BRONZE ASTM #B505
5	IMPELLER KEY	STAINLESS STEEL #304
6	IMPELLER WASHER	STEEL
7	IMPELLER LOCK WASHER	STAINLESS STEEL #304
8	IMPELLER CAP SCREW	STAINLESS STEEL #304
9	VOLUME GASKET	CELLULOSE FIBRE
10	MECHANICAL SEAL ASSEMBLY	
	BELLOWS	BUNA N
	FACES	CARBON-CERAMIC
	METAL PARTS	BRASS
	SPRINGS	STAINLESS STEEL
11	MOTOR BRACKET	CAST IRON

Our Value Centers serve the world.

Water Solutions

Water Solutions provide wastewater and dewatering pumps, biologic treatments, and filtration and disinfection products for municipal and industrial use.

Analytics manufactures premium laboratory, field, portable, and online instruments for precise measurement, serving industries from environmental to educational.

Applied Water Systems

Residential and Commercial Water supports the efficient movement and use of water in homes, commercial buildings, agriculture and irrigation.

Flow Control with its collaborative structure of experienced people, proven technologies and innovative products strives towards realizing and deploying its expertise at niche applications in food processing, beverage, pharmaceuticals, off-highway equipment, chemical processing, oil & gas and rural water management.



Xylem Water Solutions India Pvt. Ltd.

www.xyleminc.com / www.xylemindia.in

India Head Office
Ground & First floor
Vishnu Shivam Mall
Thakur Village, Kandivali [East]
Mumbai - 400 101
Tel: +91 22 4037 0370
Fax: +91 4037 0371

Registered Office, Factory and RD&E
Plot No. 731, GIDC Savli
Manjusar, Savli Road
Vadodara - 391770
Tel: +91 2667 265800
Fax: +91 2667 265802

Chennai Office
Ghatala Towers, 1st floor
19, Avenue Road
Nungambakkam
Chennai - 600034
Tel: +91 44 4043 5555
Fax: +91 44 4043 5550

Delhi Office
H-20, Bali Nagar
New Delhi - 110015
Tel: +91 11 4555 2806
Fax: +91 11 2519 5007

Bengaluru Office
No. 7, Kumara Park East
Kumara Park East Extension
Bengaluru - 560001
Tel: +91 80 4281 6800
Fax: +91 80 4281 6801

Pune Office
Xylem Water Solutions India Pvt. Ltd.
2nd Floor, Anmol Pride Unit 3
Baner Road, Pune 411045
Tel: +91 20 4660 8200

Email: indiasales@xyleminc.com, customerservicesindia@xyleminc.com



The specifications and features may change before prior notice.